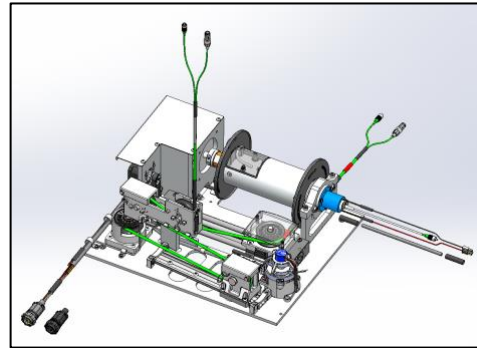


Blue Vigil OEM Solution

The OEM version of Blue Vigil's power tether solution allows manufacturers and integrators to package our core tether management and power delivery technology into a custom drone/tether platform that can be vehicle (ground/sea) mounted, man-portable or both.

The OEM kit consists of 4 core modules that are independently packaged, allowing for flexibility in enclosure design, and the ability to accommodate a weather rating up to IP55:

- Tether (wet side)
- Power module (dry side)
- Motor unit
- Air module (aircraft power conversion)



Features:

Tether Base

- 110 V or 220 V AC Input via shore, generator, or inverter power
- Peak power output: 2500 W
- Sustained power output: 2000 W @ 220 V AC input
- JSON interface to tether control module
- Min Enclosure Dimensions: 52.4 x 42.8 x 20.6 cm (approx.)
- Weight: 16 kg (not including enclosure)
- Accommodates IP55 rating
- Supports multiple modes:
 - Power only up to 300'
 - Data (ethernet) over tether up to 300'
 - Optical tether up to 250'

Air Modules (Based upon aircraft requirements)

- 12 V, 24 V or 48 V options
- Supports 4S, 6S and 12S batteries
- In-line power switch adverts battery drain
- Weight: 200g to 300g based on voltage option
- Min. Dimensions: 13 cm x 5 cm x 4 cm
- IP 55 rated
- Option for custom, aircraft integrated design

Blue Vigil OEM Kits

Blue Vigil OEM kits are designed to allow OEMs and integrators to embed our power tether technology into their advanced system/platform.

- OEM kits are delivered without enclosures
- Minimum order quantity of 5 units
- No power supply or connections are included in kit
- Standard air module (12 V, 24 V or 48 V). Custom air module design is optional
- A special order product has a typical 60-day lead time
- Engineering support available on a project basis

Blue Vigil OEM Evaluation Units

Blue Vigil can provide complete OEM evaluation units that contain the same components as included in the OEM kit but are packaged into a fully operational system to aid in product evaluation and development efforts.

- Packaged in 2 pelican cases (wet side/dry side)
- Power supply and necessary connections for working system are included
- Standard air module (12 V, 24 V or 48 V)
- Standard power tether of 300'; optional tether configurations are available for Optical and Ethernet
- Blue Vigil includes 8 hours of engineering support with purchase of the OEM kit

OEM Commercial Version

Blue Vigil offers a field-ready system featuring all components of the OEM kit Packaged in an IP 55 rated tower case:

- Commercial air modules for: DJI M300, DJI M200/210, Ascent Aerosystems Spirit 1
- Communications options: Ethernet-over-tether (up to 300') or Optical (up to 250')
- Requires 2-month lead time

For more information, contact:

Carl Miller, COO
804-317-3507
carlm@bluevigil.com

Rob Schumann, CEO
703-995-9891
rob@bluevigil.com